

PS2-600 HR-14 Energy-1

Solar Submersible Pump System for 4" wells for leachate extraction and remediation

System Overview

Head	max. 160 ft
Flow rate	max. 11 USG/min

Technical Data

Controller PS2-600 Energy

- Solar direct or via PowerPack
- Control inputs for dry running protection, remote control etc.
- Controlling and monitoring
- Programmable pump cycles and flow rates
- Integrated data logger with Bluetooth

Power	max. 0,70 kW
Input voltage	max. 150 V
Optimum Vmp**	> 68 V
Motor current	max. 13 A
Efficiency	max. 98 %
Ambient temp.	-40...122 °F
Enclosure class	IP68

Motor ECDRIVE 600-HR Energy

- Maintenance-free brushless DC motor
- Water filled
- Premium materials, stainless steel: AISI 304/316
- No electronics in the motor

Rated power	0,70 kW
Efficiency	max. 92 %
Motor speed	900...3.300 rpm
Insulation class	F
Enclosure class	IP68
Submersion	max. 492 ft

Pump End PE HR-14 Energy-1***

- Stilling tube for solid reduction
- Premium materials, stainless steel: AISI 304/316
- Tungsten plated rotor
- Helical rotor pump

Efficiency	max. 63 %
------------	-----------



Pump Unit PU600 HR-14 Energy-1 (Motor, Pump End)

Borehole diameter	min. 4,0 in
Fluid temperature	max. 140 °F

Standards



2006/42/EC, 2004/108/EC, 2006/95/EC

IEC/EN 61702:1995, IEC/EN 62253 Ed.1

The logos shown reflect the approvals that have been granted for this product family. Products are ordered and supplied with the approvals specific to the market requirements.

**Vmp: MPP-voltage under Standard Test Conditions (STC): 1000 W/m² solar irradiance, 25 °C cell temperature

***Specify temperature range on order

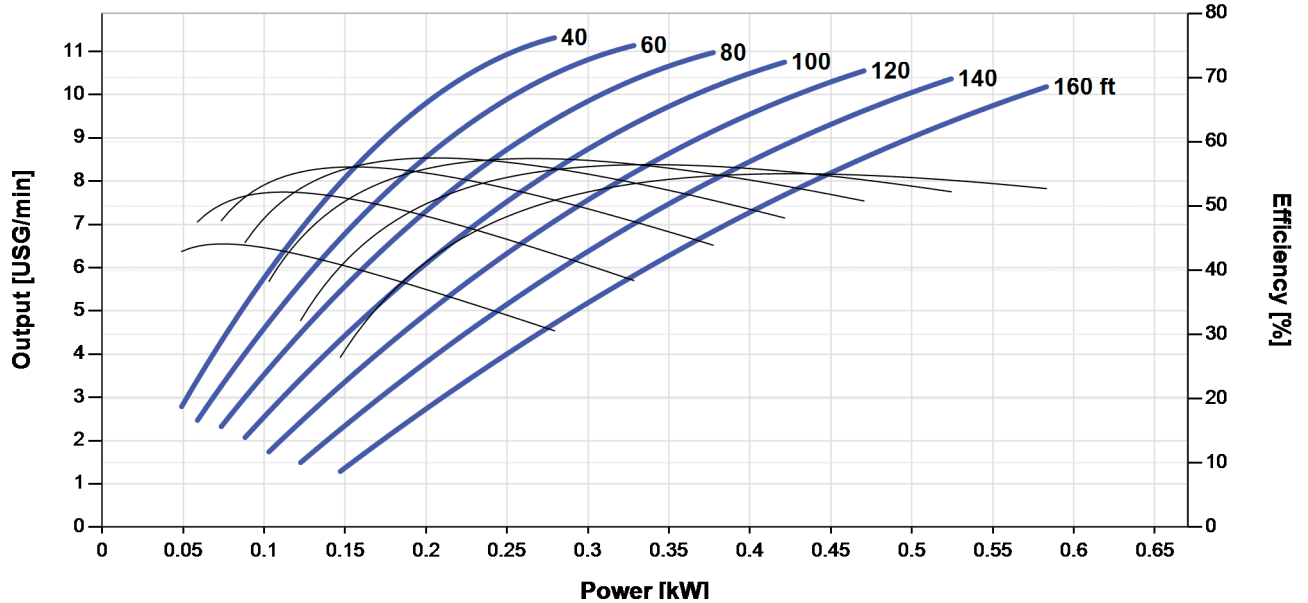


PS2-600 HR-14 Energy-1

Solar Submersible Pump System for 4" wells for leachate extraction and remediation

Pump Chart

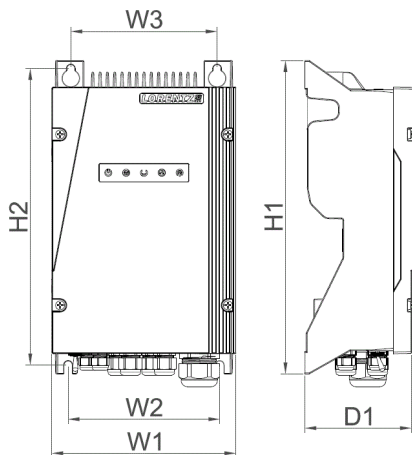
Vmp* > 68 V



Dimensions and Weights

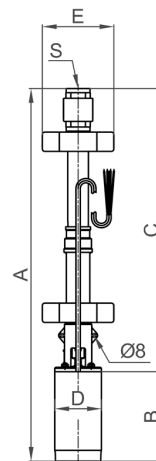
Controller

- H1 = 14 in
- H2 = 13 in
- W1 = 8,1 in
- W2 = 6,7 in
- W3 = 6,5 in
- D1 = 4,9 in



Pump Unit**

- A = 31 in
- B = 7,5 in
- C = 23 in
- D = 3,8 in
- E = 5,8 in
- S = 1,25 in



	Net weight
Controller	12 lbs
Pump Unit	25 lbs
Motor	15 lbs
Pump End	9,9 lbs

*Vmp: MPP-voltage under Standard Test Conditions (STC): 1000 W/m² solar irradiance, 25 °C cell temperature

**By cutting the rubber spacers the diameter can be adjusted between 6" and 4" wells.

